

REV A
SH 2

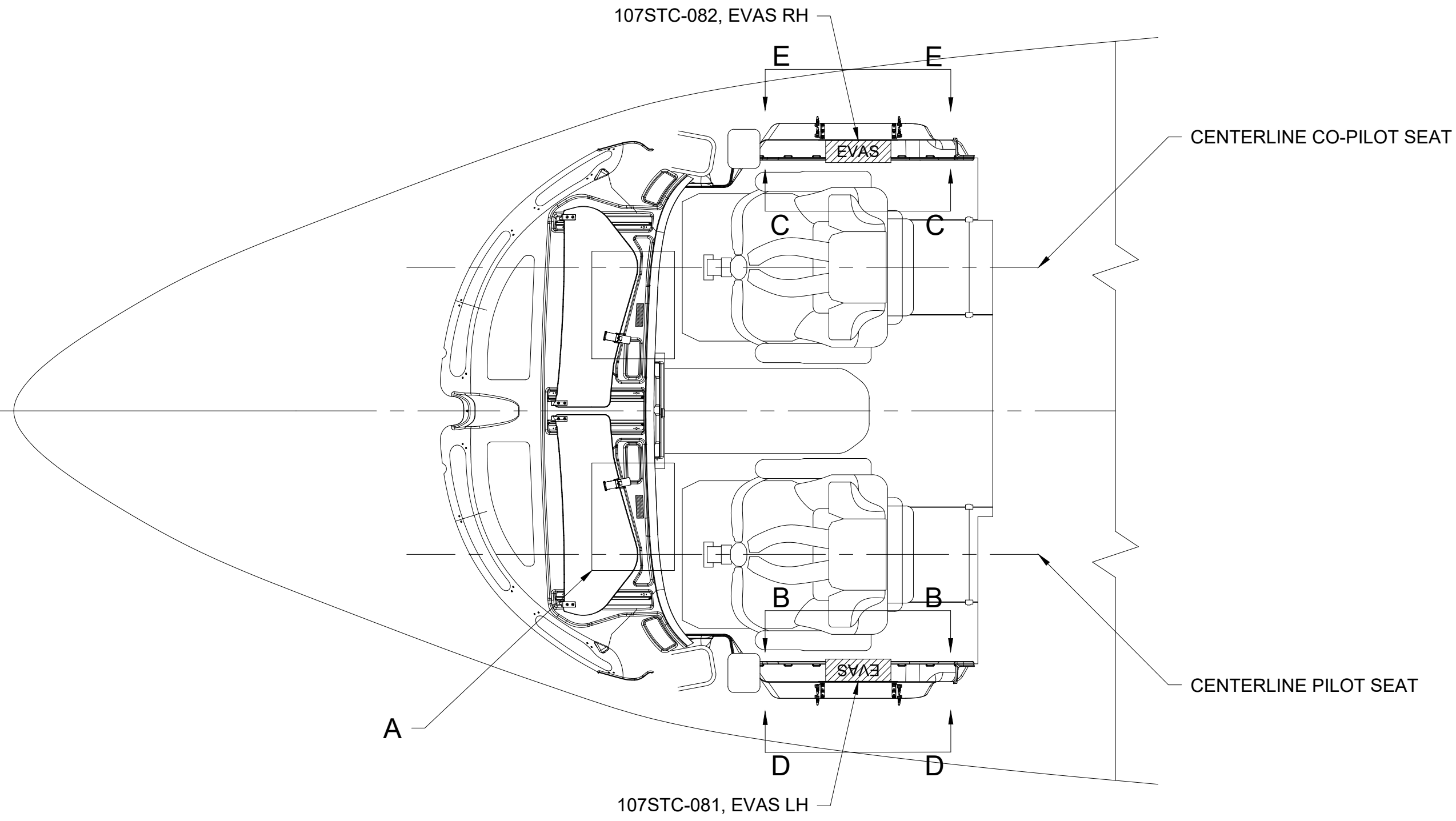
DWG NO. 6248

SIZE B

B

A

BL
0.0



B

A

PROPRIETARY, NON-DISCLOSURE, AND TRADE SECRETS NOTICE.
SEE SHEET 1.

SIZE B	DRG.NO. 6248	REV A
SCALE NONE	LOCATION 6248000A	SHEET 2 of 8