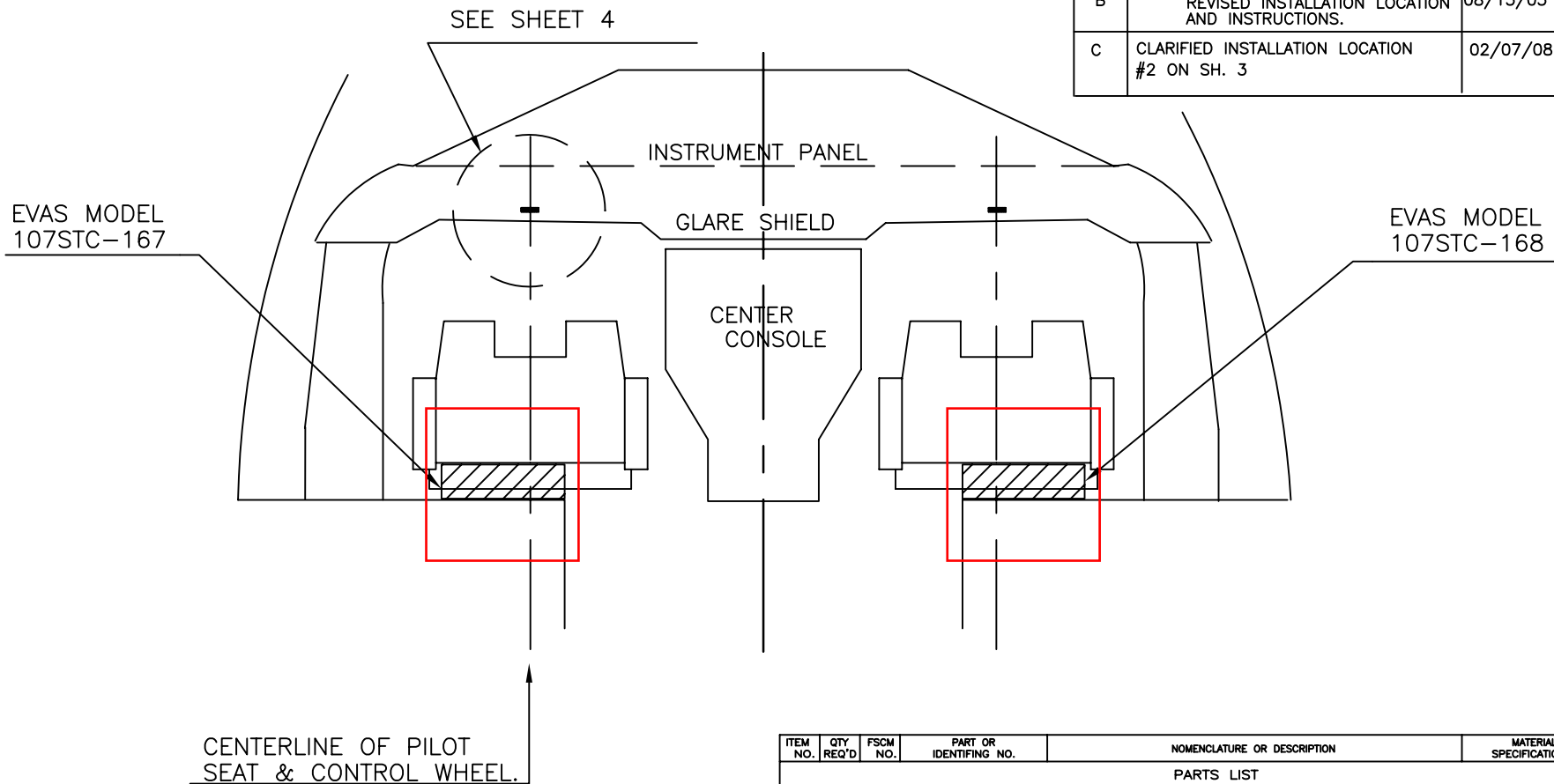


2

1

NOTES: UNLESS OTHERWISE SPECIFIED

REVISIONS			
REV.	DESCRIPTION	DATE	APPROVAL
A	NEW MOUNTING BRACKET	06/14/05	CBKW
B	REVISED INSTALLATION LOCATION AND INSTRUCTIONS.	08/15/05	HEW
C	CLARIFIED INSTALLATION LOCATION #2 ON SH. 3	02/07/08	CBKW



CENTERLINE OF PILOT SEAT & CONTROL WHEEL.

THE INFORMATION CONTAINED HEREIN IS PROPRIETARY AND CONFIDENTIAL TO VISION SAFE CORP., AND SHALL NOT BE DISCLOSED OR COPIED, IN WHOLE OR IN PART WITHOUT THE WRITTEN CONSENT OF VISION SAFE CORP.

	VISIONSAFE MDL 196
END	BEECHJET
NEXT ASSY	USED ON
APPLICATION	DO NOT SCALE DRAWING

ITEM NO.	QTY REQ'D	FSCM NO.	PART OR IDENTIFYING NO.	NOMENCLATURE OR DESCRIPTION	MATERIAL SPECIFICATION	NOTE
PARTS LIST						
UNLESS OTHERWISE SPECIFIED DIMENSIONS ARE IN INCHES, TOLERANCES ARE:			CONTRACT NO.			
FRACTIONS	DECIMALS	ANGLES	VISION SAFE CORPORATION			
±	.XX±	±	P.O.Box 5011, Kaneohe, HI 96744-5011 (USA)			
	.XXX±		APPROVALS		DATE	
MATERIAL			DRAWN E. YANG		06/24/04	
FINISH			CHECKED		EVAS 107STC-167 & -168	
APPLICATION			ENGRG		INSTALLATION: BEECHJET	
			Q.A.		SIZE B	FSCM NO.
					DRG. NO. 6186	REV. C
					SCALE NONE	LOCATION 6186001C SHEET 1 of 4

2

1

REV. 1 C
SH
SIZE DRG NO. 6186
B
A

B
A