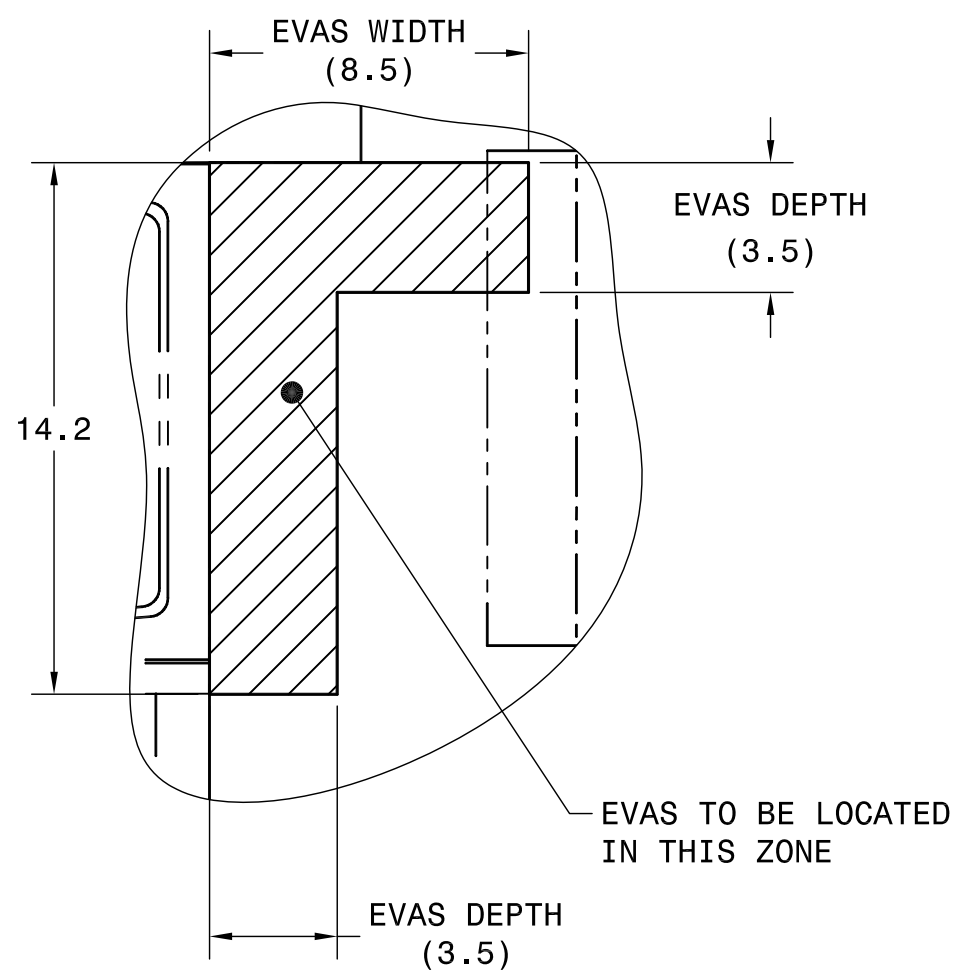
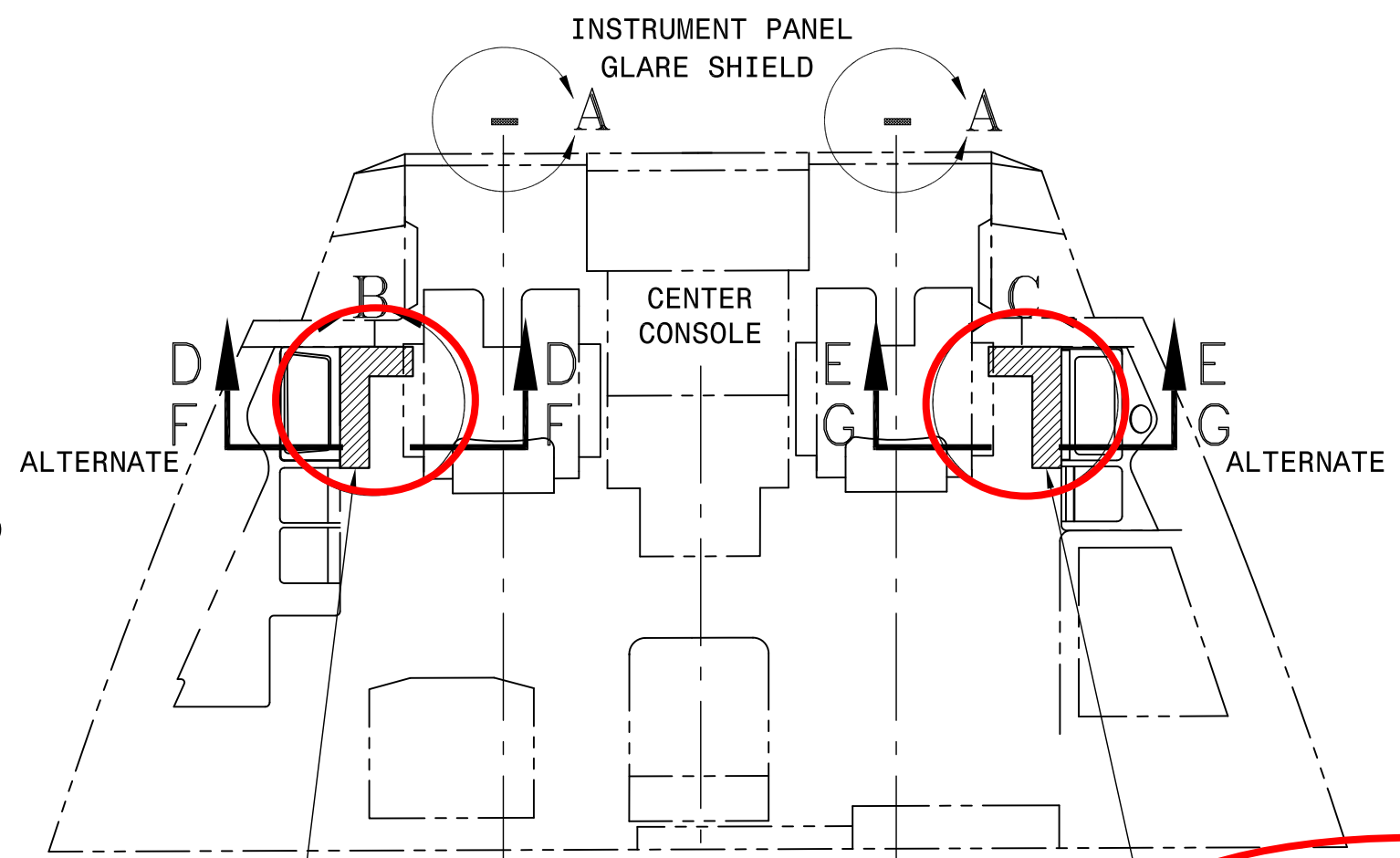


REV A  
SH 3  
6206  
SIZE DWG NO. B  
B



DETAIL B (SHOWN)  
DETAIL C (OPP)



LEFT EVAS INSTALLATION ZONE  
(-1 ONLY)

CENTERLINE OF  
CAPTAIN'S SEAT AND  
CONTROL WHEEL

CENTERLINE OF FIRST  
OFFICER'S SEAT AND  
CONTROL WHEEL

RIGHT EVAS INSTALLATION ZONE  
(-2 ONLY)

BL  
0.0  
REF

-1 EVAS INSTALL, EVAS, LH  
VIEW LOOKING DOWN

-2 EVAS INSTALL, EVAS, RH  
VIEW LOOKING DOWN

PROPRIETARY, NON-DISCLOSURE, AND TRADE SECRETS NOTICE.  
SEE SHEET 1.

SIZE B	DRG. NO. <b>6206</b>	REV. A
SCALE NONE	LOCATION 6206000A	SHEET 3 of 6